

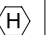
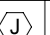
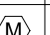
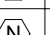
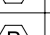
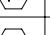


Villa 6500 frame with B+D/E+C/F panel, for other panel setups visit [www.isabella.net](http://www.isabella.net)

No.	Description	Length	Qty.	Item no.
1	Front pillar right, mitre 10°	1870	1	609000001
2	Front pillar left, mitre 10°	1870	1	609000002
3	Front pillar, mitre 10°	1870	4	609000003
4	Back pillar left, mitre 10°	2555	1	609000045
5	Back pillar, mitre 10°	2555	4	609000044
6	Back pillar right, mitre 10°	2555	1	609000043
7	Right door pillar low, mitre 10°	2152	1	609000007
8	Left door pillar low, mitre 10°	2152	1	609000008
9	Right door pillar high, mitre 10°	2308	1	609000009

No.	Description	Length	Qty.	Item no.
10	Left door pillar high, mitre 10°	2308	1	609000010
11	Cross bar A/B panel	1810	2	609000011
12	Cross bar C/F panel	1325	8	609000012
13	Cross bar back	1810	2	609650013
14	Cross bar back middle	1320	1	609650014
15	Cross bar gable back panel	1375	4	609000046
16	Cross bar back side panel	660	4	609000016
17	Stiffener, mitre 45°	510	8	609000017
18	Rafter	3723	14	609000047

No.	Description	Length	Qty.	Item no.
19	Rafter gable	3723	2	609000048
20	Cross beam right with adaptor	3375	2	609650020
21	Cross beam left	3250	2	609650021
22	Overhang beam left	3550	1	609650022
23	Overhang beam right w. adaptor	3650	1	609000023
24	Overhang side with adaptor	300	4	609000024
25	Overhang front with adaptor	260	16	609000025
26	Overhang corner left w. bracket	65	2	609000026
27	Overhang corner right w. bracket	65	2	609000027
28	Door frame bottom panel wood 45x18	840	3	609000028
29	Cross bar D panel	960	2	609650029

 Dato / Date: 08.01.2024 Version no.: 02 Enheder / Units: mm <b>VILLA 370 6500</b> Profile overview (B+D+C) <b>ALU-P-40x40 profile</b> <b>6500 x 3700 mm</b>	Pakkeliste / Packing list Hex bolt M6x14 60900000C		34
	Plate nut double 15x5x45 60900000H		10
	Plate nut 15x5x20 60900000J		24
	Plate nut double input 60900000M		8
	Plate nut input 60900000N		4
	Wood screw 5,5x38 60900000P		60
	End plug plastic 60900000K		26
	Double channel 2500mm 900000015		2
	Double channel 2000mm 900000016		3

