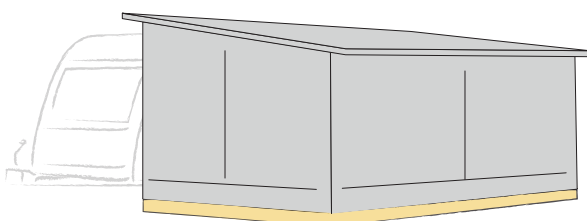
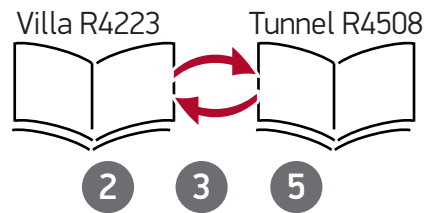
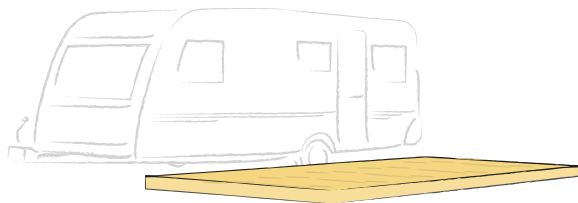
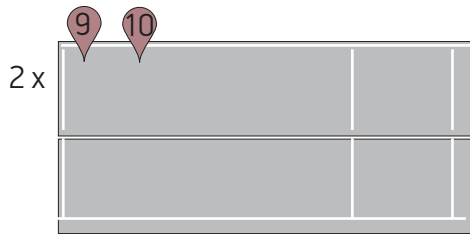
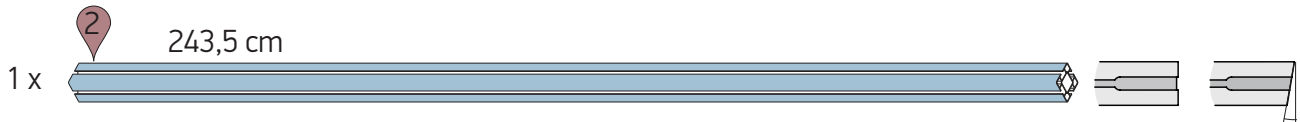
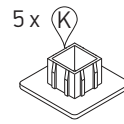
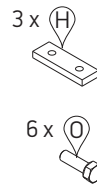
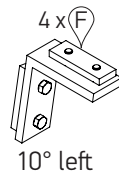
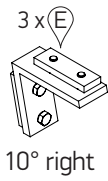
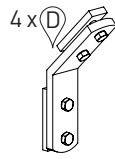
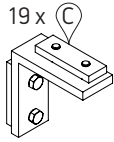
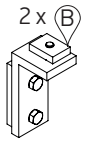
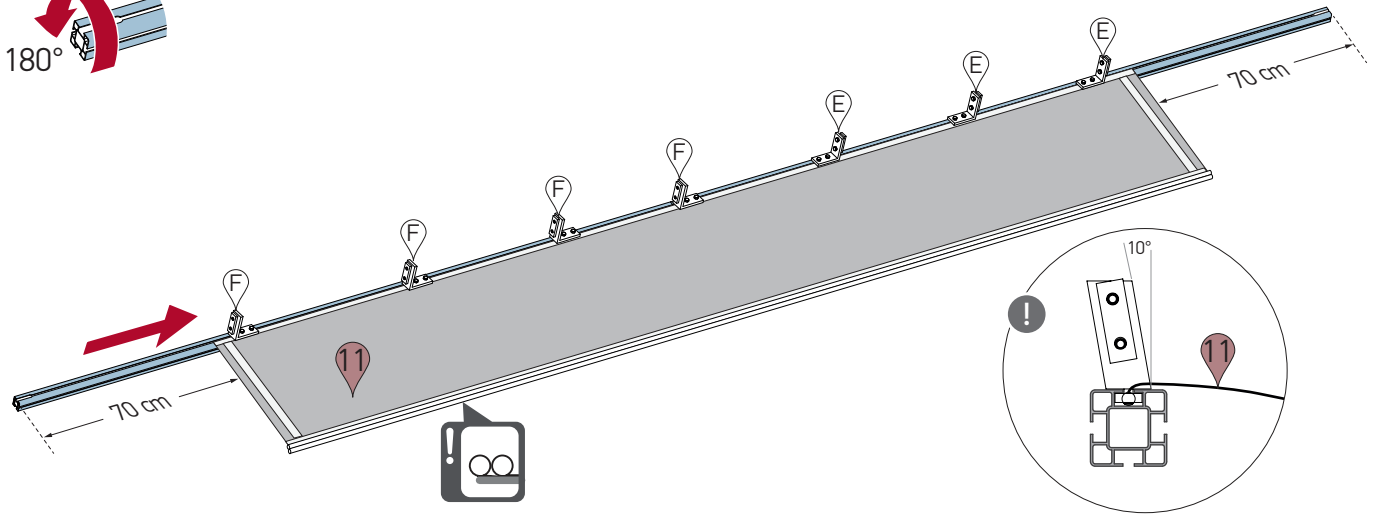
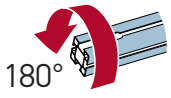


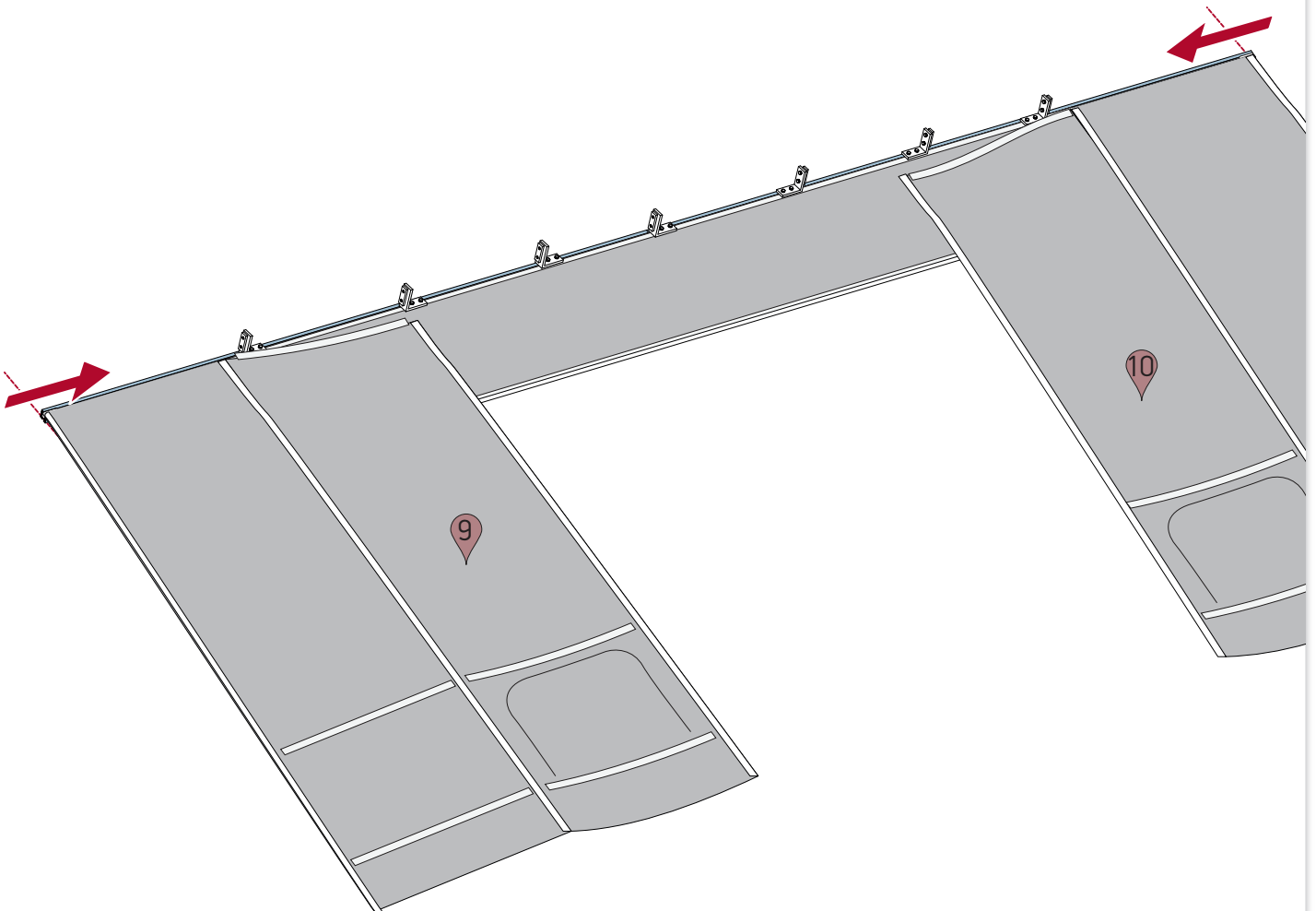
i

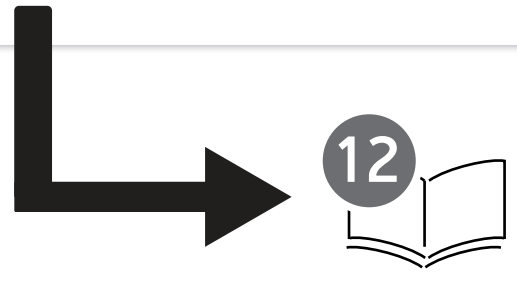
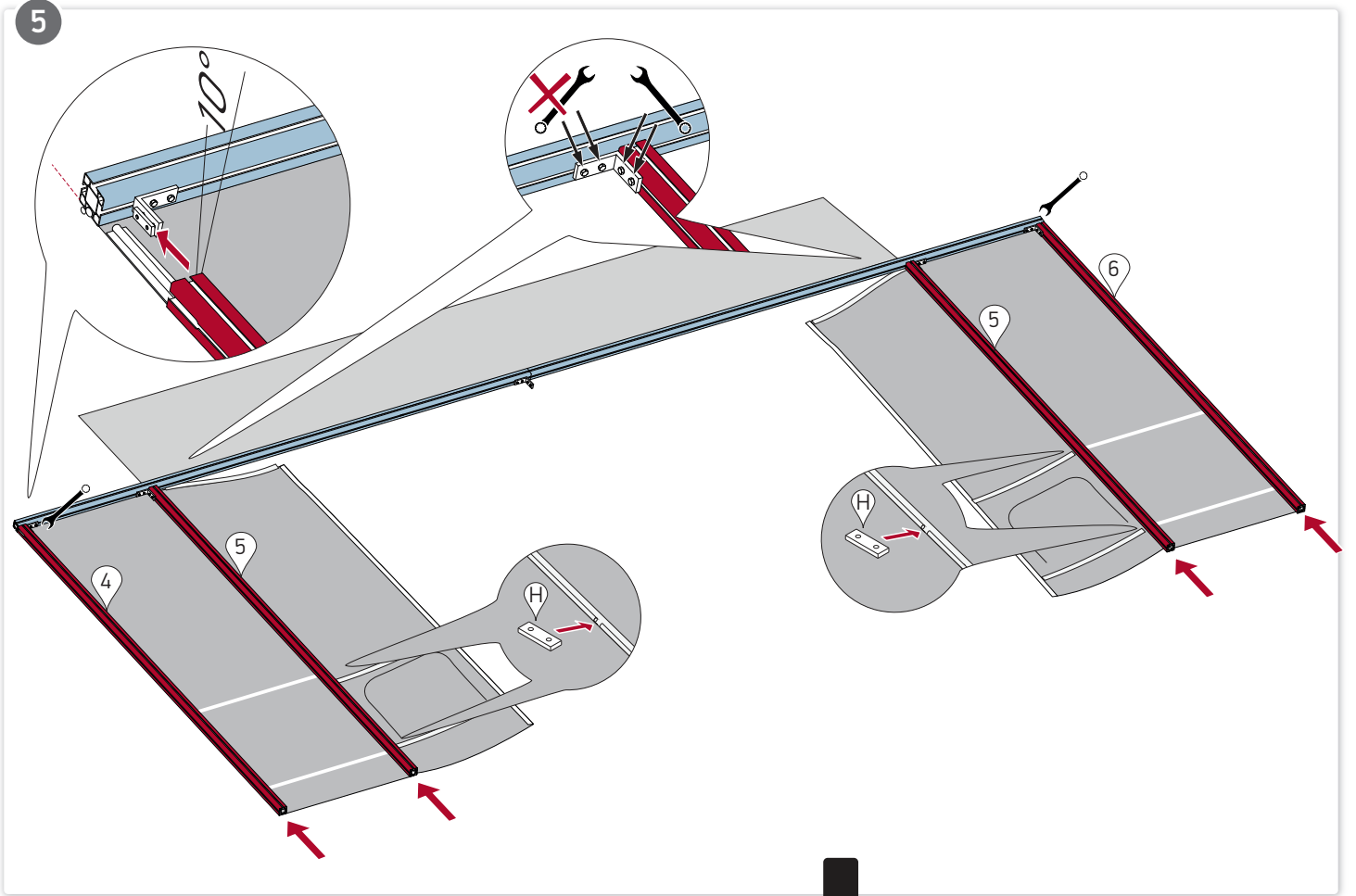


2

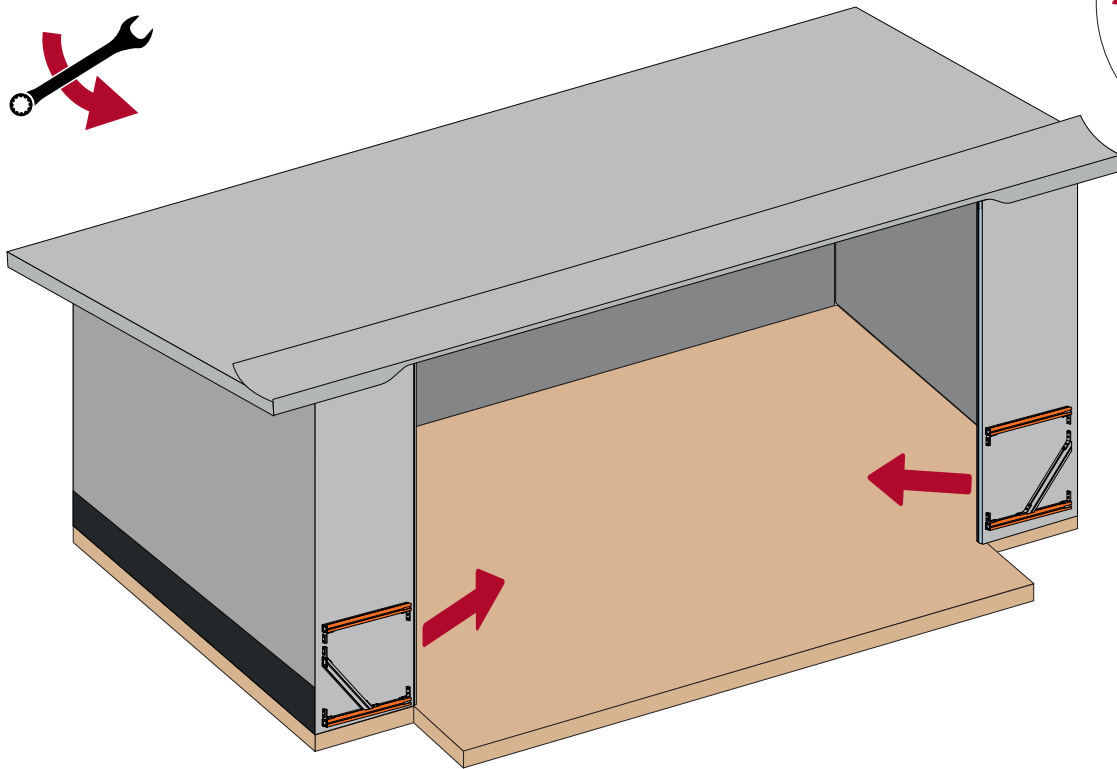
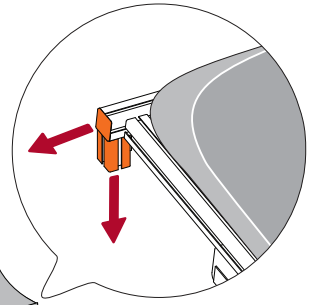
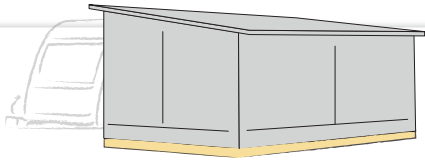


3

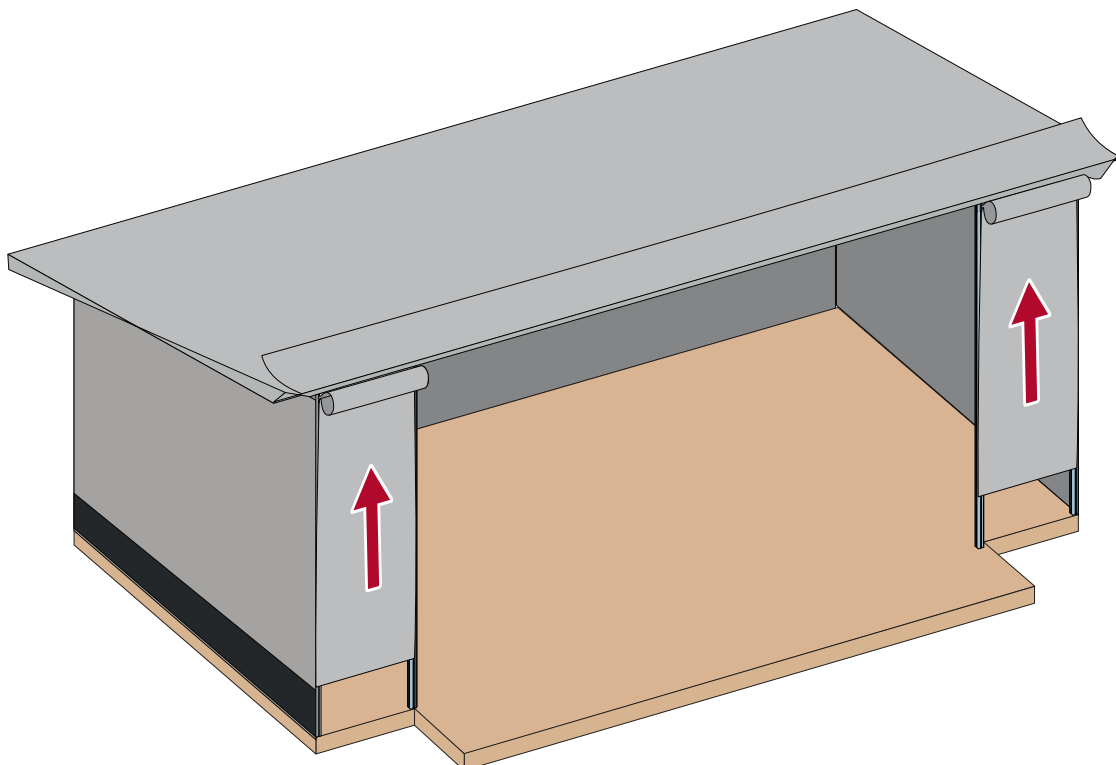




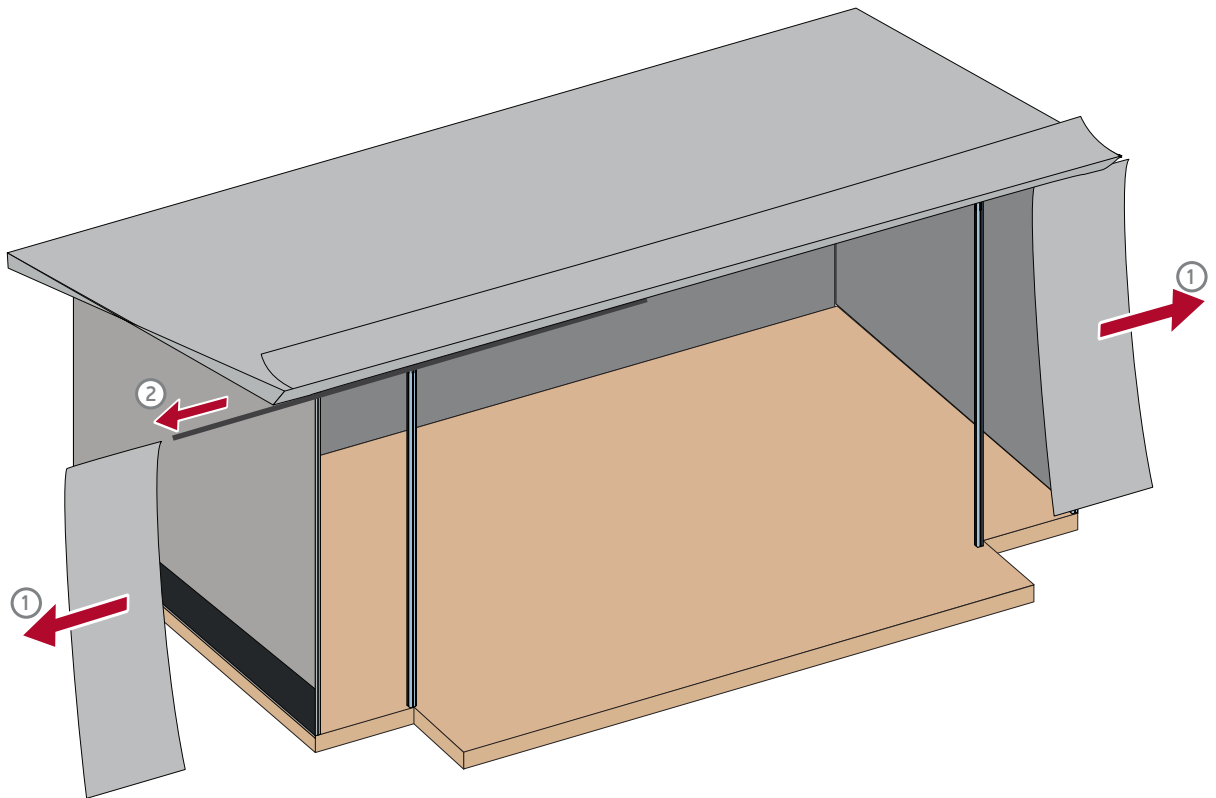
6



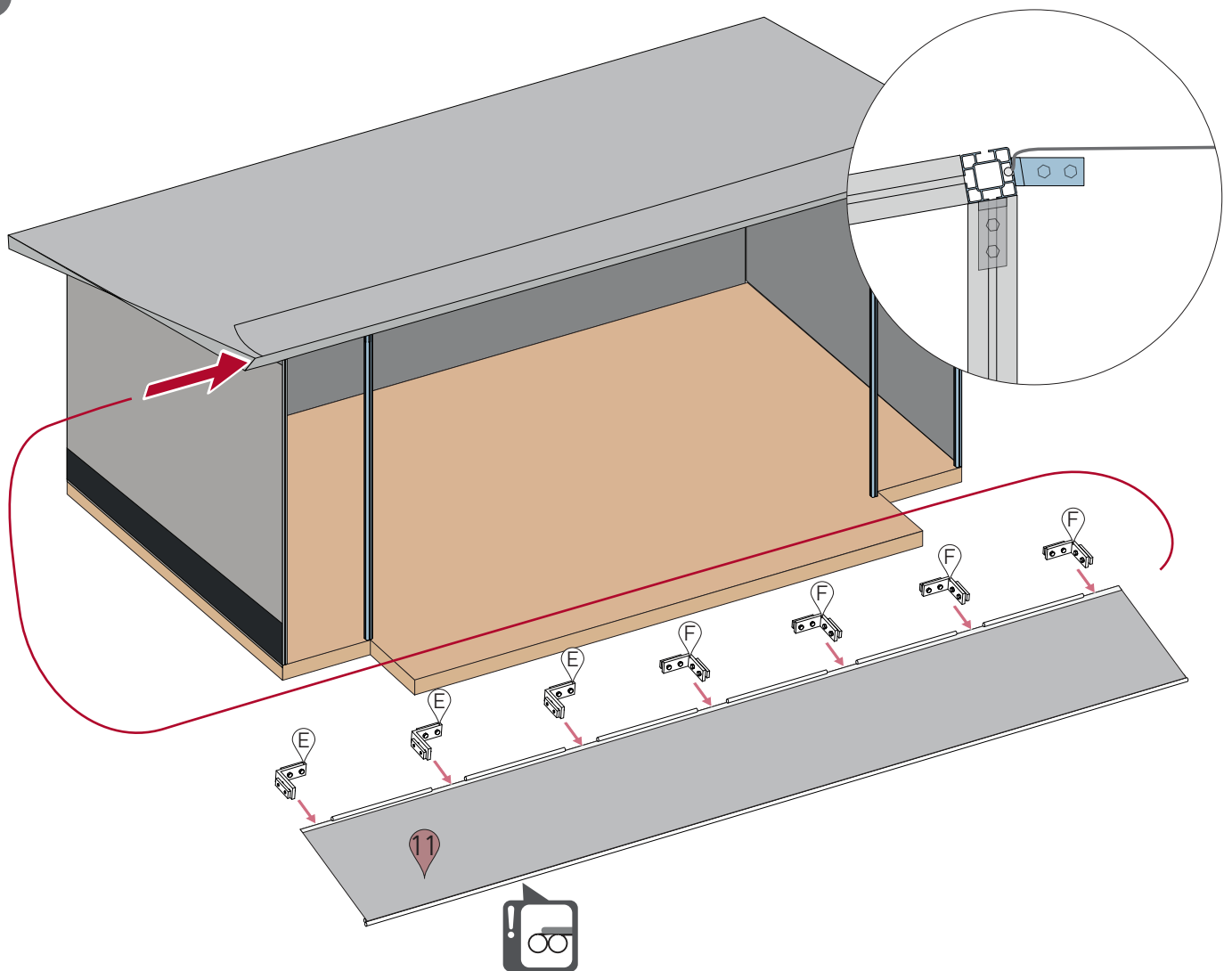
7



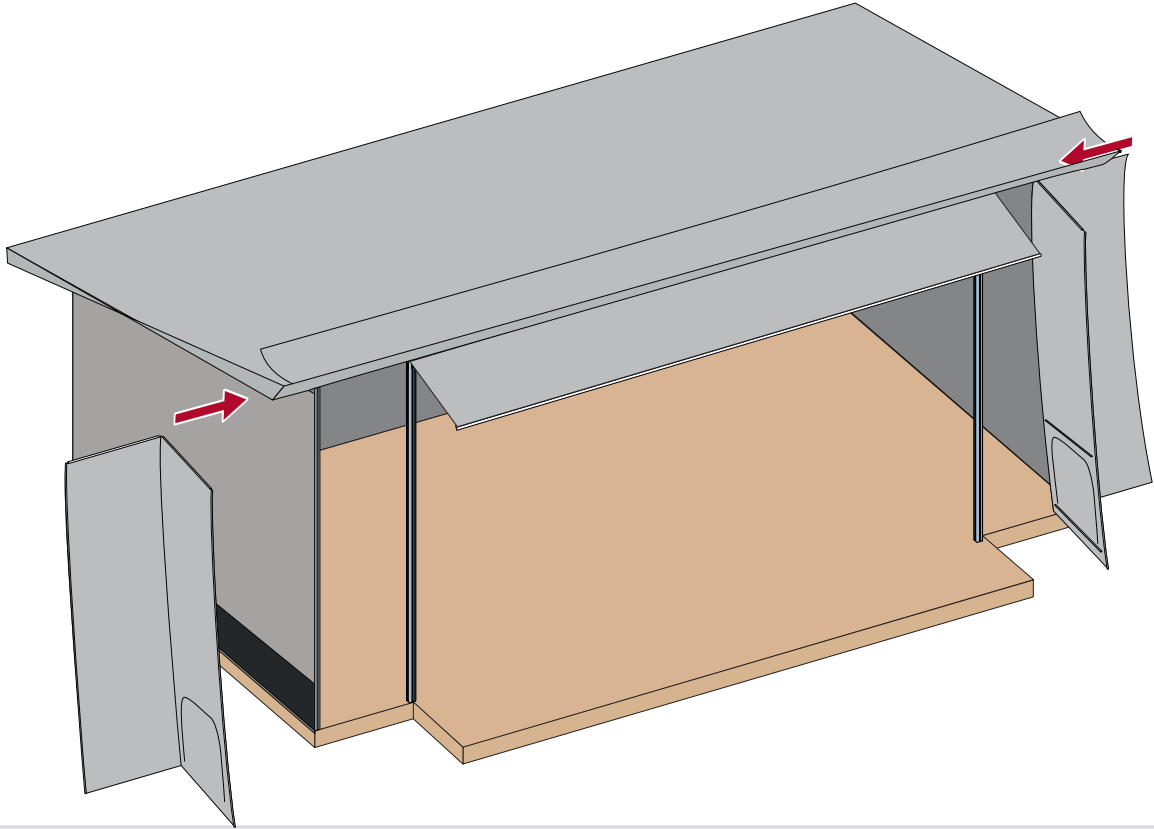
8



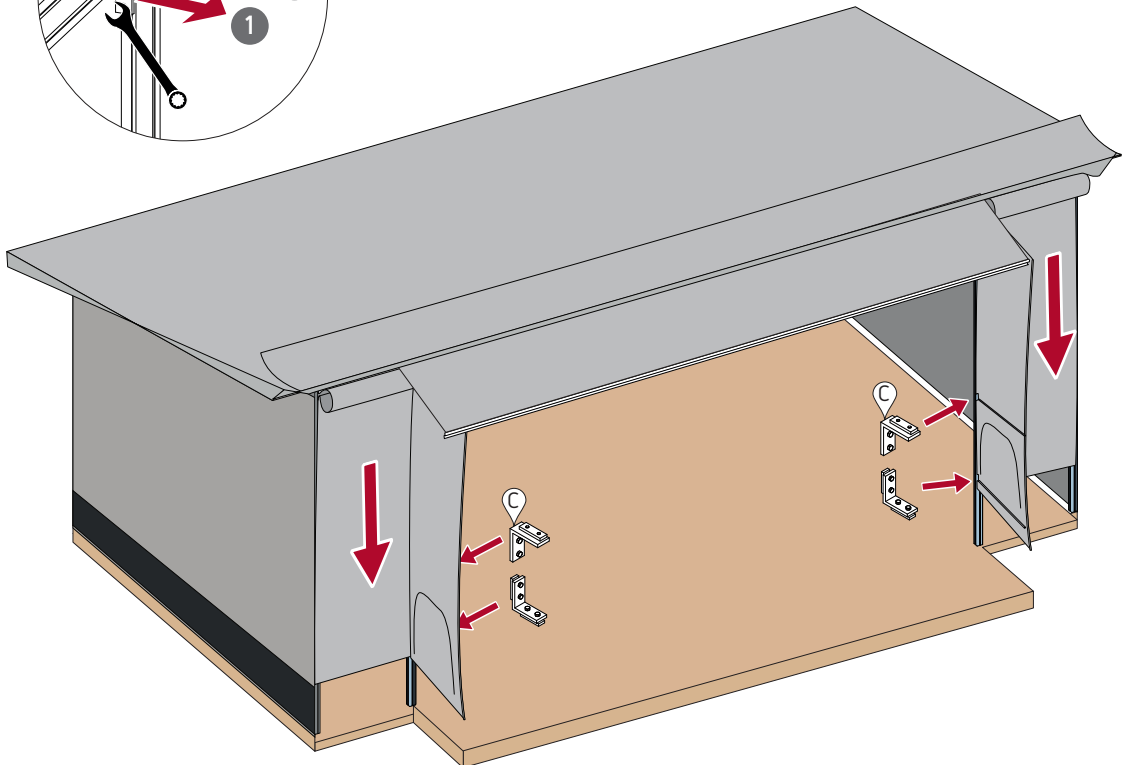
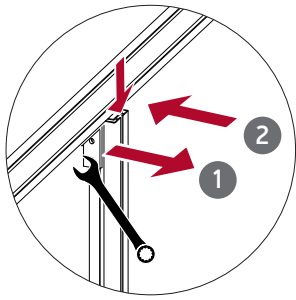
9



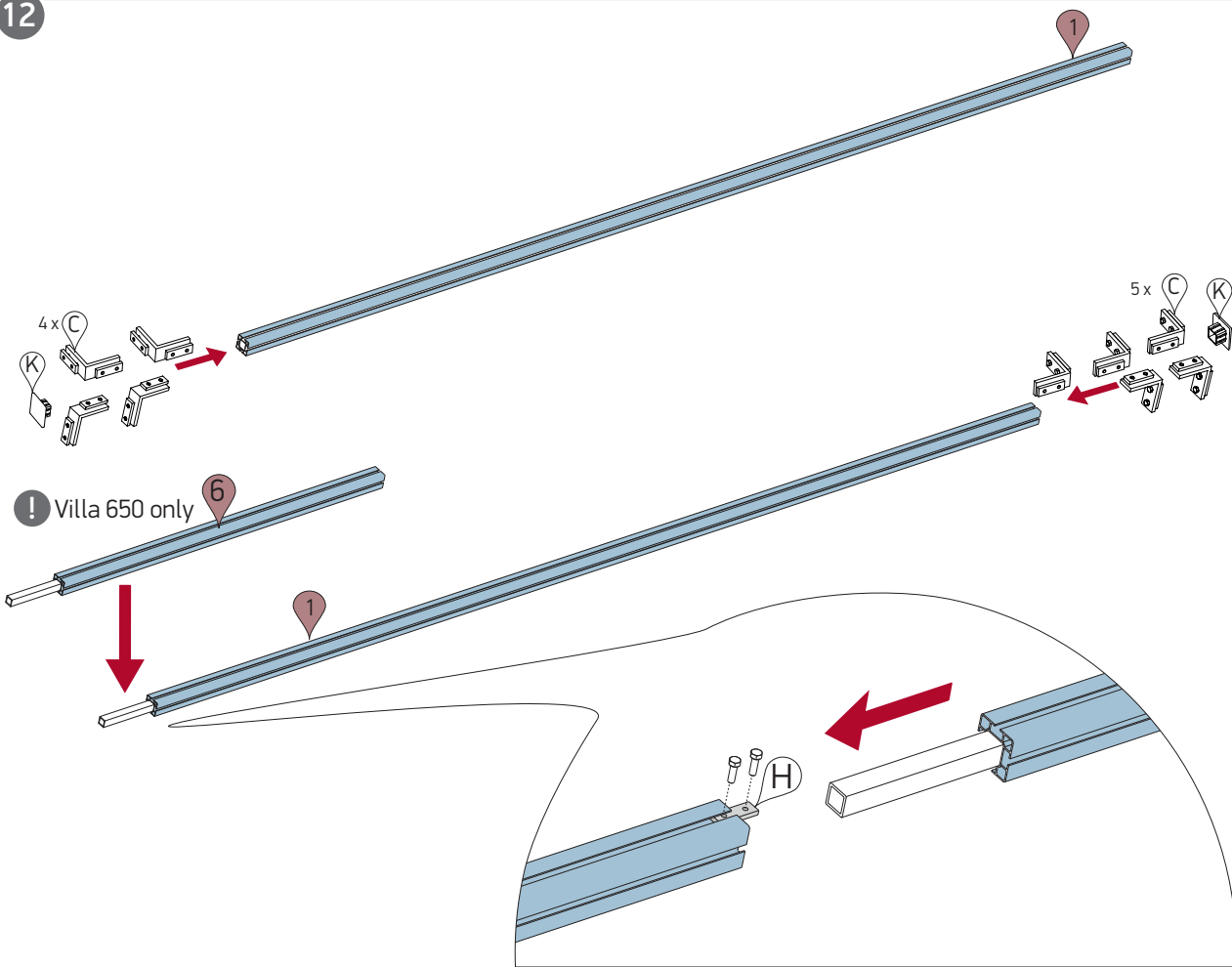
10



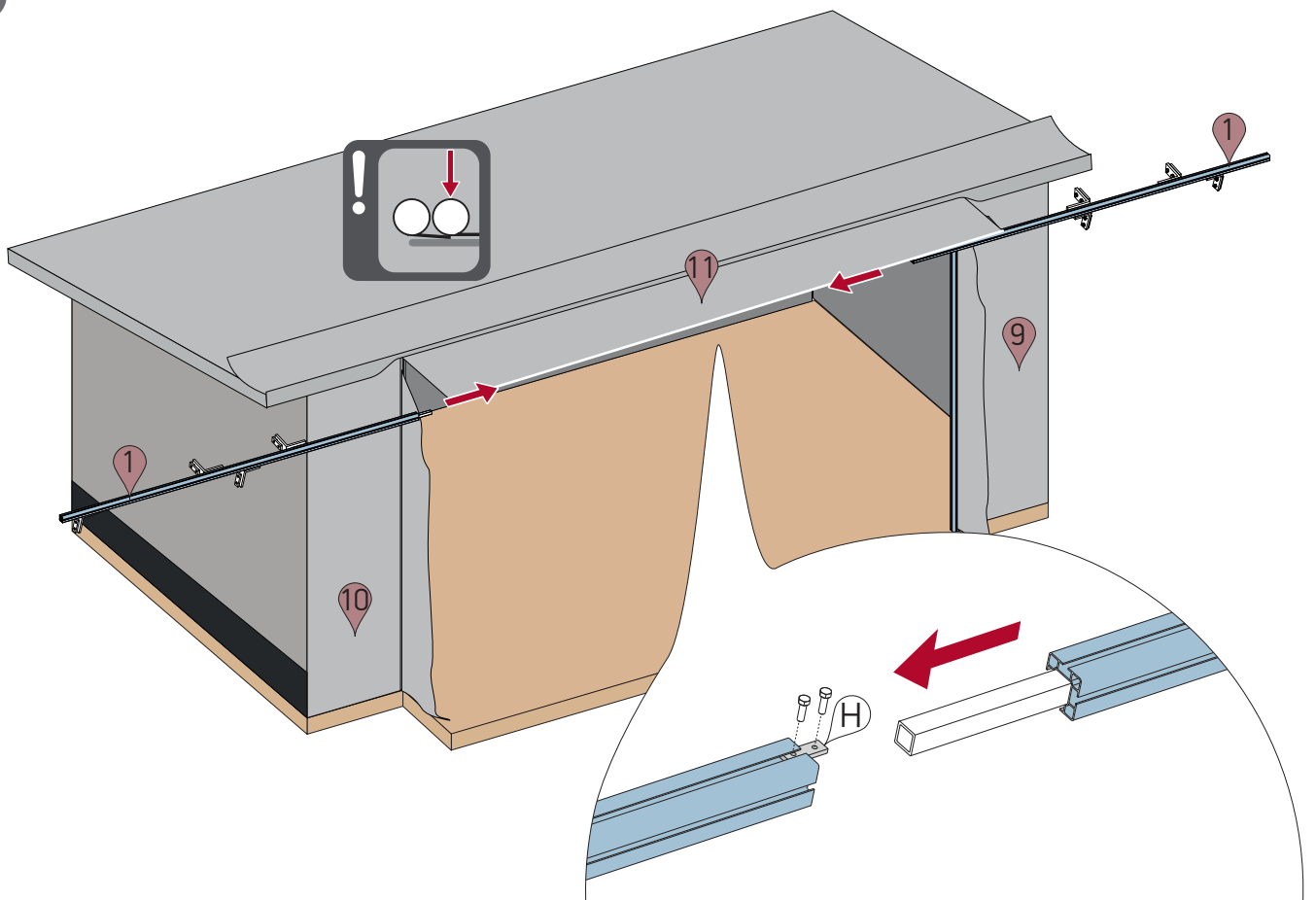
11



12

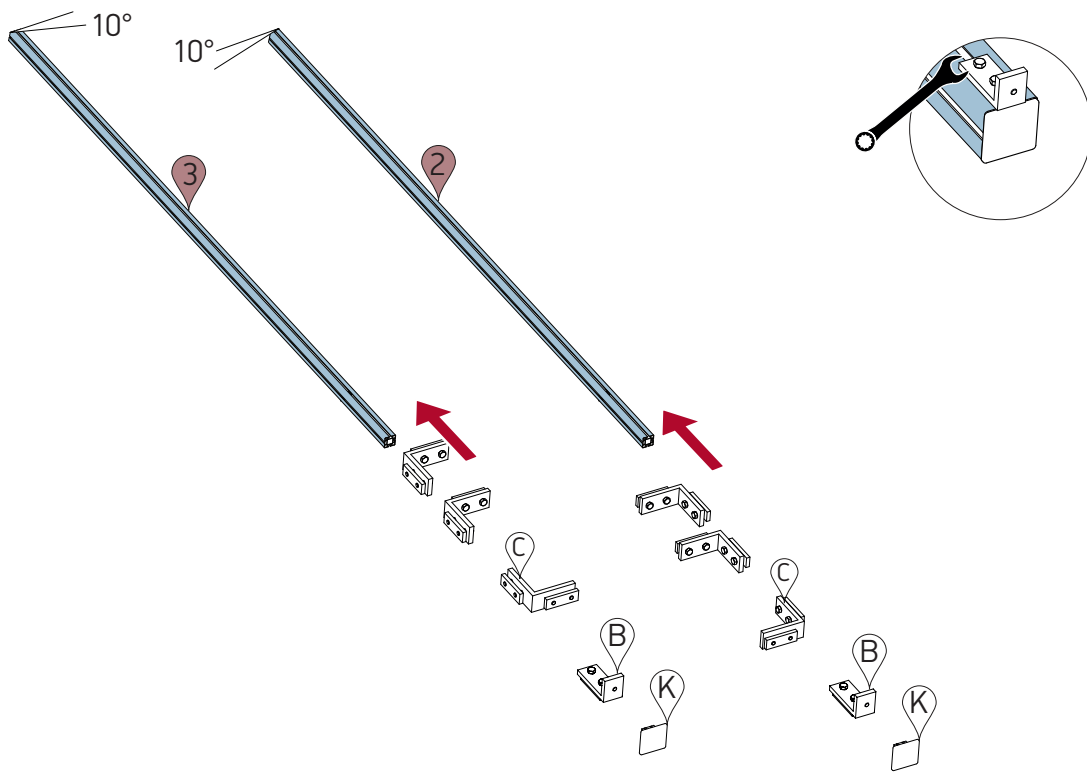


13

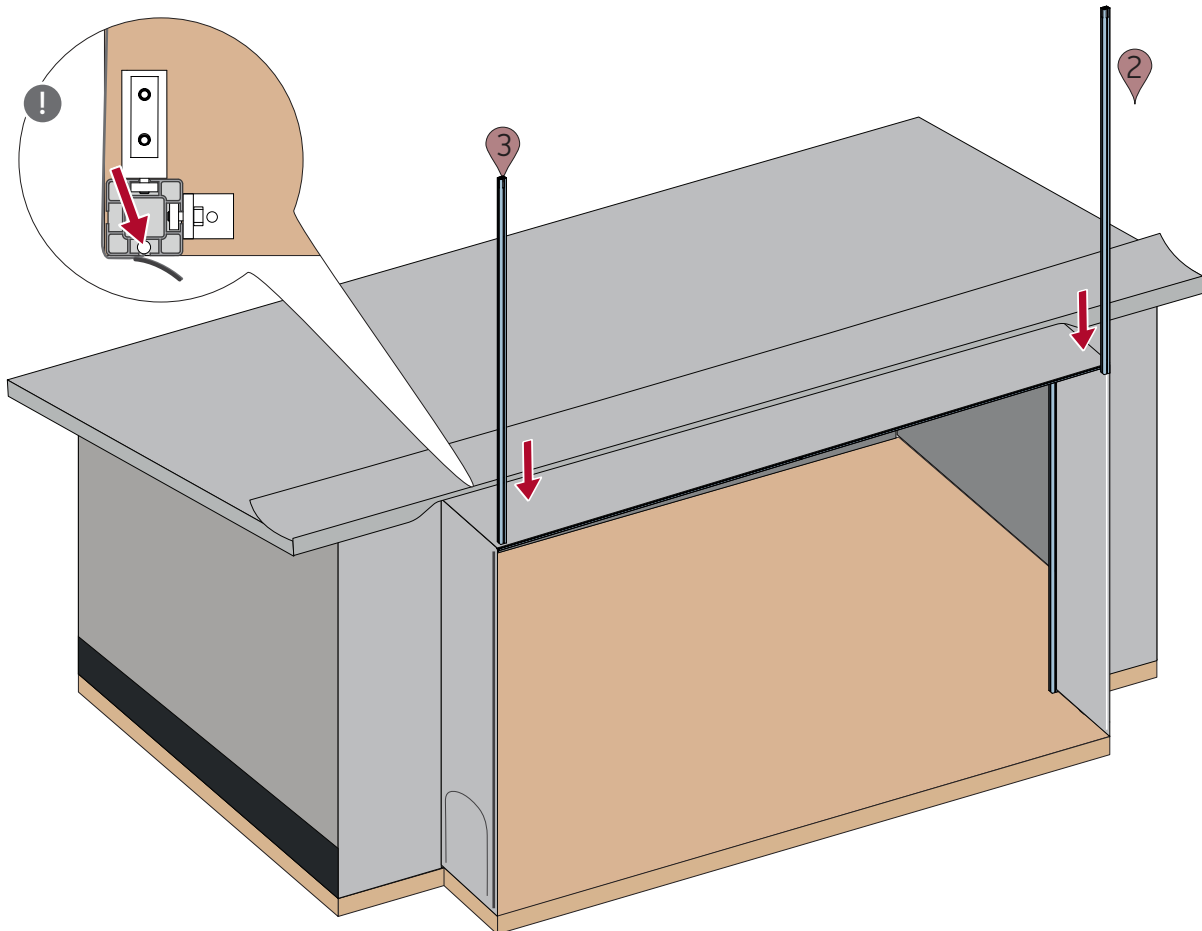




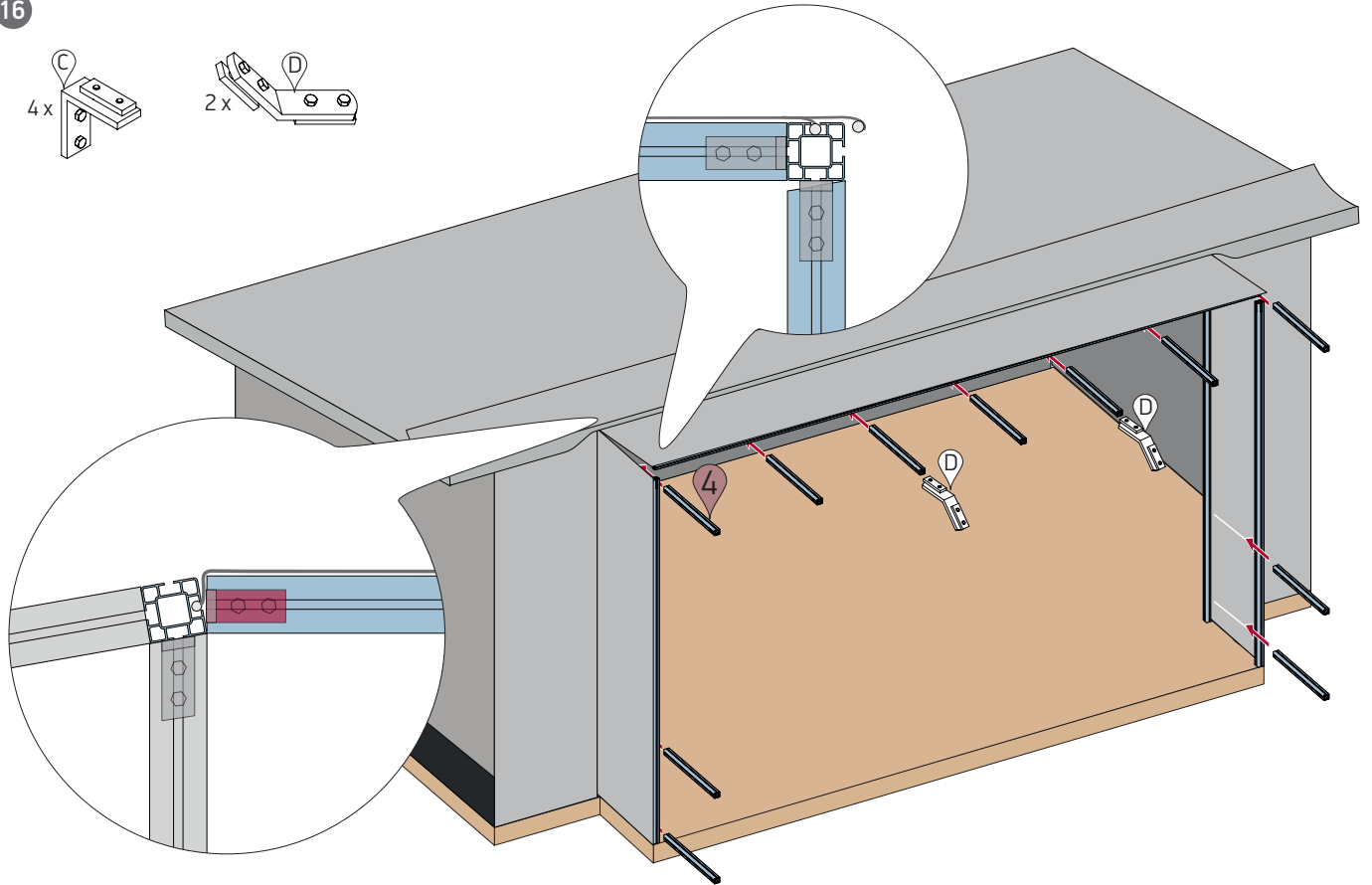
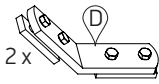
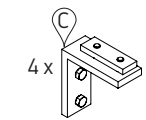
14



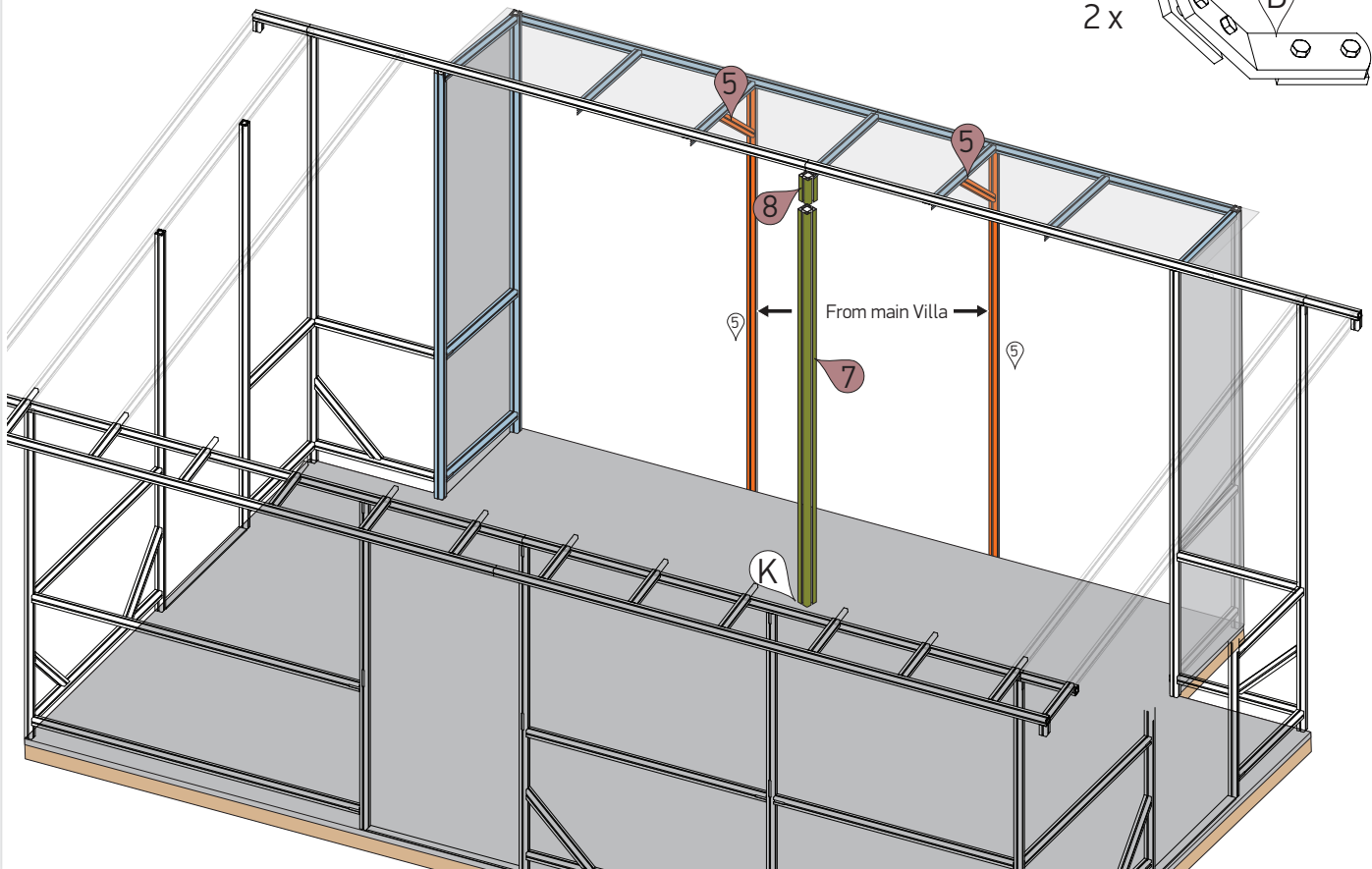
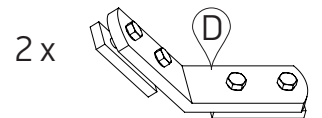
15



16



17





---

[www.isabella.net](http://www.isabella.net)

